

Lens : optional



## New High-Performance DSP Superb Image Quality and Cost Performance Colour Camera

The stylish new WV-CP280 Series colour camera is equipped with a newly-developed DSP, providing improved image quality.

Utilizing the **Adaptive Black Stretch** technology, the DSP uses image processing to transform dark areas into natural, high contrast images in real time, while keeping crisp areas unchanged.

Horizontal resolution is 540 TV lines in colour mode. Minimum illumination intensity is 0.8 lux in colour mode with the F1.4 lens. This is due to the new DSP and the introduction of a new circuit. Signal-to-Noise ratio under low-light intensity has been improved. Furthermore, it is equipped with a Day/Night feature, allowing use in low-light situations\*.

The camera is equipped with various features including Back Light Compensation (BLC), Automatic Light Control (ALC) and Electronic Light Control (ELC) for a wide-range of installation environments.

Three selectable synchronization modes include Internal, Line-locked and Multiplexed Vertical Drive (VD2) synchronization. The camera supports 220 ~ 240 V AC (WV-CP280) and 24 V AC/12 V DC (WV-CP284) power supplies.

With a host of new and improved features, the WV-CP280 Series is the ideal camera for offices, retail locations, restaurants and shopping malls.

\* No IR filter shifting

### KEY FEATURES

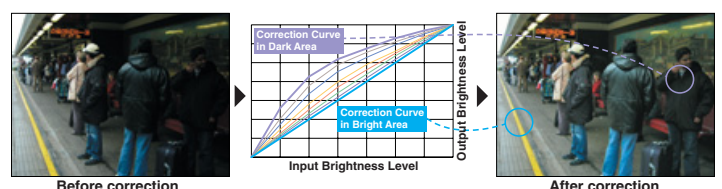
- 1/3-type CCD pick-up element featuring 752 (H) x 582 (V) pixels.
- Newly-developed Digital Signal Processor (DSP).
- Higher horizontal resolution of 540 TV lines in colour mode.
- Adaptive Black Stretch feature transforms shadows and dark areas into natural and crisp images in real time.
- Minimum illumination of 0.8 lux in colour mode with F1.4 optional lens.
- Day/Night function allows use in low light situations\*.
- Accuracy improvement of Auto-Tracing White Balance (ATW).
- Back Light Compensation (BLC).
- Automatic Light Control (ALC).
- Electronic Light Control (ELC) enables the use of inexpensive fixed iris lenses for more cost effective systems.
- Line-lock capability for roll-free pictures during systems operation switching.
- VD2 sync capability with Panasonic system products.
- CS-mount lenses. DC-servo ALC lenses.
- WV-CP280 Camera Series:
  - WV-CP280: 220 ~ 240 V AC, 50 Hz
  - WV-CP284: 24 V AC, 50 Hz or 12 V DC

### 1/3-type Variable Focal Lenses (optional)

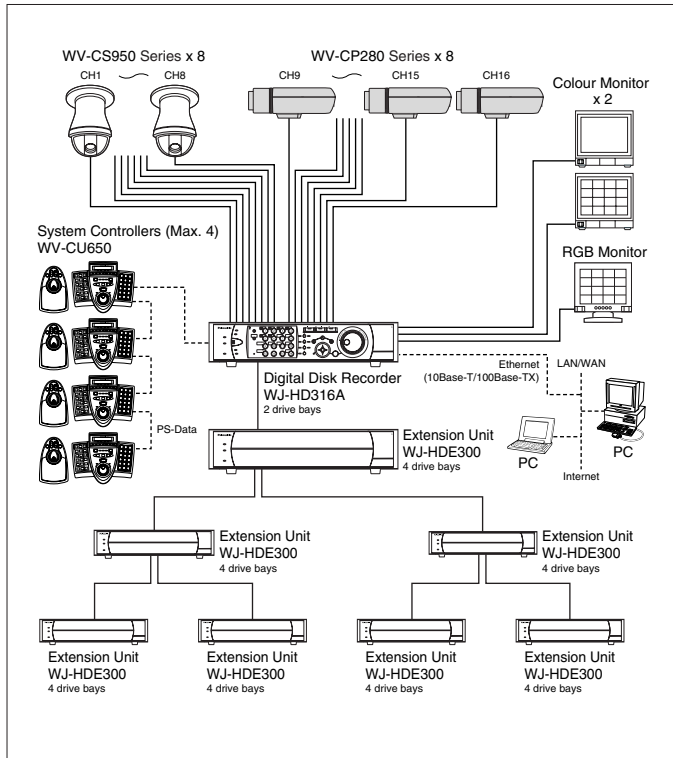


### Newly-developed DSP utilizes the Adaptive Black Stretch technology

The new DSP to automatically detect dark areas inside an image, applying the most suitable correction curve based on brightness data of areas surrounding the dark area. This image processing algorithm transforms shadows and dark areas into natural and crisp images in real time.



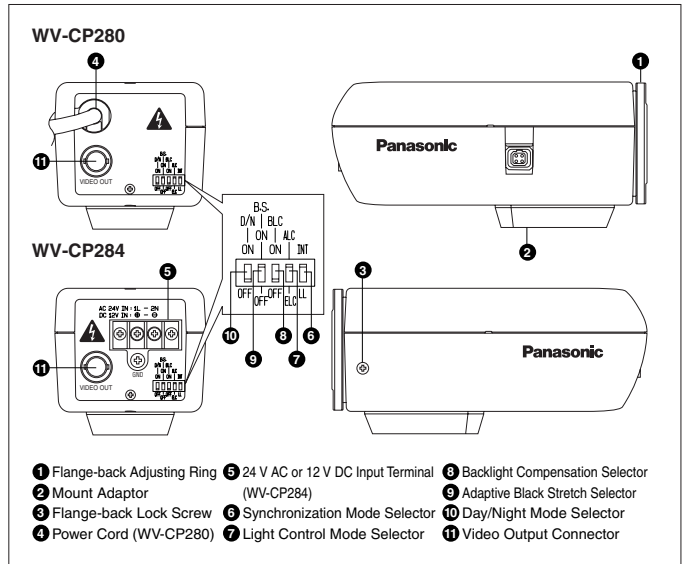
## SYSTEM EXAMPLE



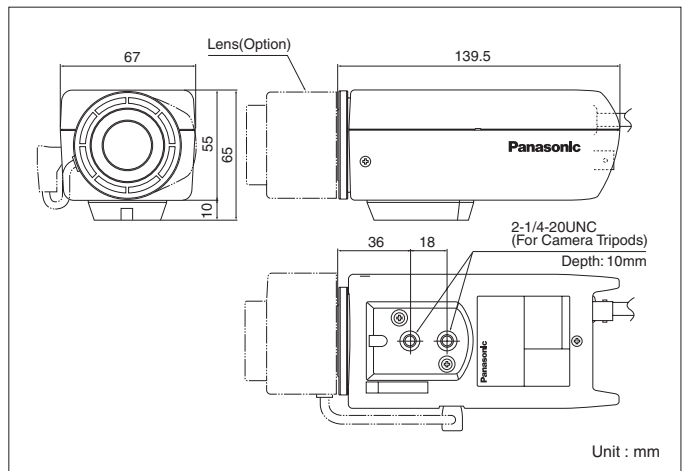
## SPECIFICATIONS PAL

Model No.	WV-CP280	WV-CP284
<b>Camera</b>	Image Sensor	1/3-type interline transfer CCD
	Effective Pixels	752 (H) x 582 (V) pixels
	Scanning Mode	2:1 interlace scan
	Scanning Area	4.9 (H) x 3.7 (V) mm
	Scanning Frequency	Horizontal: 15.625 kHz, Vertical: 50 Hz
	Scanning Line	625 lines
	Horizontal Resolution	540 TV lines (Colour)
	Minimum Illumination	0.6 lux (Colour) at F1.2, 0.4 lux (B/W) at F1.2
	Signal-to-Noise Ratio	50 dB (Equivalent to AGC Off, weight On)
	White Balance	ATW
	AGC/GAIN	Always ON
	Light Control	ALC / ELC
	Adaptive Black Stretch	ON / OFF
	BLC	ON / OFF
	Synchronization	Internal (INT), Multiplexed Vertical Drive (VD2), Line-Lock (LL)
Black and White Mode	ON / OFF (No IR filter shifting)	
Lens Mount	CS-mount	
<b>Input/Output</b>	Video Output	1.0 V [p-p] / PAL composite 75 Ω / BNC Connector Multiplexed VD2 capable
	<b>General</b>	Power Source and Power Consumption
	Ambient Operating Temperature	-10 °C ~ +50 °C
	Ambient Operating Humidity	90 % or less (no condensation)
	Dimensions (W x H x D)	67 mm x 65 mm x 139.5 mm (without lens)
	Weight (approx.)	510 g   350 g

## MAJOR OPERATING CONTROLS & TERMINALS



## APPEARANCE



### Important

– Safety Precaution: carefully read the operating instructions and installation manual before using this product.

- All TV pictures are simulated.
- Weights and dimensions are approximate.
- Specifications are subject to change without notice.
- These products may be subject to export control regulations.

DISTRIBUTED BY:

**Panasonic**<sup>®</sup>

<http://panasonic.net/security/>

Printed in Japan (2N-765B)