

Lens: optional



## High quality MPEG-4 and JPEG dual streaming network camera

### Key Features

- MPEG-4/JPEG digital signal output at VGA image size with up to 30 ips.
- MPEG-4 and JPEG dual stream output for simultaneous live monitoring and high resolution recording.
- Progressive output provides clear images, even when the subject is moving.
- High sensitivity: 1.1 lux at F1.2, 1.5 lux at F1.4.
- Up to 16x automatic electronic sensitivity enhancement.
- Electronic shutter for anti flicker.
- Video Motion Detector with 4 programmable detection areas and 3 sensitivity levels.
- Monitor output for easier installation.
- Up to 3x digital zoom with controlled by browser.
- Camera title display: Up to 20 alphanumeric characters on browser.
- SD Memory card slot for alarm recording and backup upon network failure. Recorded data can be downloaded by using FTP command.
- Alarm sources including Terminal input, VMD and Panasonic alarm command can trigger actions including SD memory recording/FTP image transfer, E-mail notification, Alarm indication, Terminal output and Panasonic protocol output.
- Built-in microphone for audio (one-way).
- Built-in network interface (10Base-T / 100Base-TX).
- Power over Ethernet (PoE) IEEE 802.3af.
- Multiscreen: Images from 8 cameras can be displayed in two separate Quad screens (JPEG only). 20 characters camera title is available for each camera.
- FTP client function enables periodic image data transfer or transfer upon alarm.
- Alarm e-mail notification

- Max bit rate/client for MPEG-4 (64 / 128 / 256 / 512 / 1,024 / 1,536 / 2,048 / 3,072 / 2,048 / 4,096 kbps) combined with Total bit rate control (64 / 128 / 256 / 512 / 1,024 / 2,048 / 4,096 kbps / Unlimited) allowing flexible network management.
- Supported Protocol: TCP/IP, UDP/IP, HTTP, FTP, SMTP, DHCP, DNS, DDNS, NTP, RTP and SNMP.
- Multi-language GUI and setup menu: English, French, Italian, Spanish, German, Russian (PAL), English, French (NTSC), (Installation required except for English).

### Standard Accessories

- |  |   |
|--|---|
| • CD-ROM* ..... 1 pc.                                  | The following parts are used during installation procedures.  |
| • Operating Instructions (English version) ..... 1 pc. |   |
| • Code Label ..... 1 pc.                               |   |
| • Power cord (only for the WV-NP240) ..... 1 pc.       |   |
| • Safety wire lug (for wall) ..... 1 pc.               |   |
| • Safety wire plate (for ceiling) ..... 1 pc.          |   |
| • Screw (M2.5) ..... 1 pc.                             | * Panasonic IP setting software, the viewer software and the operating instructions (PDF) are included on the CD-ROM. |

### Optional Accessories

1/3-type 2x Varifocal Lens  
**WV-LZA61/2S**  
(3.8 ~ 8 mm)



1/3-type 8x Varifocal Lens  
**WV-LZ62/8S**  
(5 ~ 40 mm)

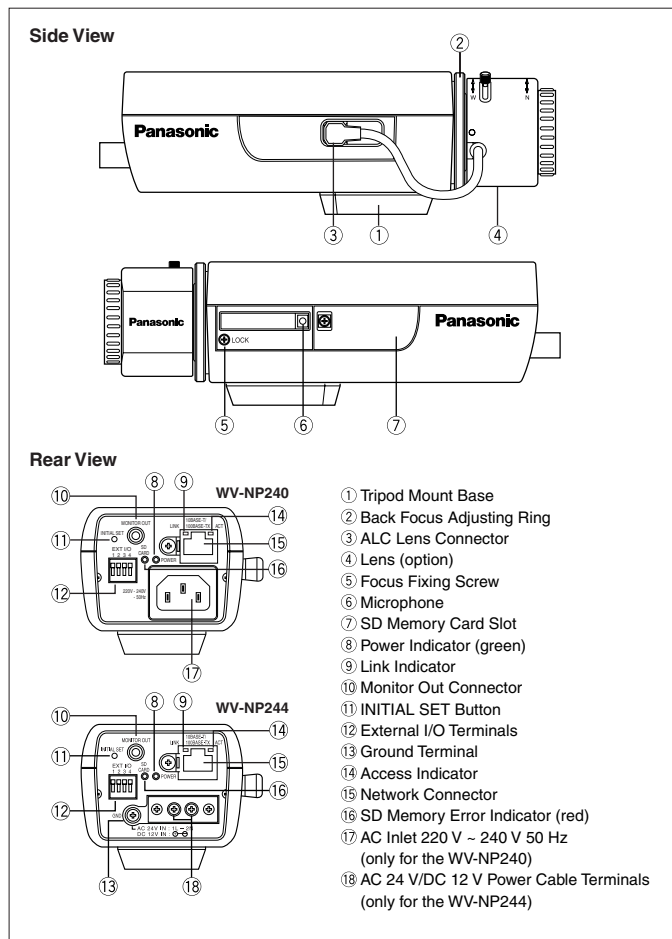


## Specifications

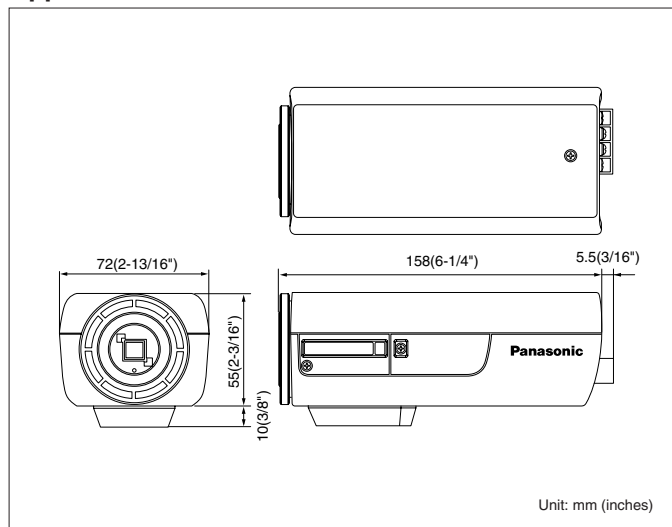
TV System	NTSC	PAL
<b>Camera</b>	1/3-type progressive scan CCD	
Effective Pixels	659 (H) x 494 (V)	
Scanning Mode	Progressive scan	
Scanning Area	4.8 (H) x 3.6 (V) mm	
Minimum Illumination	Color (30IRE): 1.5 lux (Sens up: OFF), 0.09 lux (Sens up: 16x) at F1.4	
White Balance	AUTO / HOLD	
Light Control	ALC or ELC	
BLC	ON / OFF	
AGC	Always ON	
Electronic Shutter	For flicker less mode: 1/100 ~ 3/100 (Auto select)*	
Electronic Sensitivity UP	OFF / AUTO (2x, 4x, 8x, 16x)	
Digital Zoom	1x, 1.5x, 2x, 2.5x, 3x, Controlled by browser GUI	
Video Motion Detector	4 areas, Sensitivity: High / Middle / Low	
Back Focus Adjustment	Manual	
Lens Mount	CS-mount	
Synchronization	Internal	
<b>Browser GUI</b>	Brightness, AUX ON/OFF	
Display Mode	Spot, Quad: Image from 8 cameras can be displayed in 2 different Quad screens (JPEG only). 20 characters camera title available.	
Digital Zoom	1x, 1.5x, 2x, 2.5x, 3x, Zoom by camera	
Camera Title	Up to 20 alphanumeric characters	
Clock Display	Time: 12H / 24H, Date: 5 formats on the browser, Summer time (Manual)	
Alarm Control	Reset	
One Shot Capture	A still picture is displayed on a newly opened window.	
Audio	ON / OFF	
GUI / Setup Menu Language	English, French (Installation required for French)	English, French, Italian, Spanish, German, Russian (Installation required except for English)
System Log	Up to 100 (Internal), Up to 4,000 (SD memory) error logs	
Supported OS	Microsoft® Windows® 2000 Professional SP4, Microsoft® Windows® XP Professional/Home SP2 The language of the OS must be same as selected GUI language.	
Supported Browser	Internet Explorer 6.0 SP2 (Windows® XP Home / Professional SP2) Internet Explorer 6.0 SP1 (Only Windows® 2000 Professional SP4)	
<b>Network</b>	Network IF	
Image Resolution	VGA (640 x 480) / QVGA (320 x 240)	
Image Compression	MPEG-4: Image quality: LOW / NORMAL / FINE, Transmission type: UNICAST / MULTICAST JPEG: Image quality: 10 steps, Transmission type: PULL / PUSH MPEG-4 and JPEG dual streaming, JPEG multi-resolution supported.	
Image Refresh Rate	0.1 / 0.2 / 0.33 / 0.5 / 1 / 2 / 3 / 5 / 6 / 10 / 15 / 30 ips (Max rate will be 5 ips-VGA, 10 ips-QVGA when transmitting JPEG and MPEG-4 simultaneously)	
Audio Compression	G.726 (ADPCM) 32 kbps / 16 kbps	
Total Bit Rate	64 / 128 / 256 / 512 / 1,024 / 2,048 / 4,096 kbps and unlimited	
Max Bit Rate / Client (MPEG-4)	64 / 128 / 256 / 512 / 1,024 / 1,536 / 2,048 / 3,072 / 4,096 kbps	
Supported Protocol	TCP/IP, UDP/IP, HTTP, RTP, FTP, SMTP, DHCP, DNS, DDNS, NTP, SNMP	
FTP Client	Alarm image transfer, FTP Periodic transfer	
No. of Simultaneous Users	8 (Depends on network conditions)	
SD Memory Card (Option)	Alarm REC / Backup upon network failure. Compatible SD card: Panasonic 64 MB, 128 MB, 256 MB, 512 MB, 1 GB, 2 GB model	
Alarm E-mail	Up to 4 e-mail addresses	
User Registration	Up to 16 users	
User/Host Level	3 Levels: Administrator, Camera control, Live only	
Security Measures	User authentication (ID 32 digit, PW 32 digit), Host authentication (IP address)	
<b>Alarm</b>	Alarm Source	
Alarm Actions	VMD, Command alarm, Terminal input SD memory recording/FTP image transfer, e-mail notification, Terminal output, Indication on browser, Panasonic protocol output	
<b>Input / Output</b>	Monitor Output	
External I/O Terminals	1.0 V [p-p] / 75 Ω / NTSC composite signal / ø3.5 mm mini jack 1.0 V [p-p] / 75 Ω / PAL composite signal / ø3.5 mm mini jack	
Microphone	1x Alarm input / 1x Alarm output, 1x AUX output Built-in microphone	
<b>General</b>	Safety / EMC Standard	
Power Source / Consumption	UL (6500 Edition2), FCC (Part15 ClassA), C-UL (E60065), DOC (ICES003 ClassA)	CE (EN55022, EN55024, ClassB), GOST (R 51558).
Ambient Operating Temperature	24 V AC, 60 Hz 4.8 W / 12 V DC 400 mA / PoE (IEEE802.3af): 4.2 W	
Ambient Operating Humidity	-10 °C ~ +50 °C (14 °F ~ 122 °F) Less than 90 % (without condensation)	
Dimensions	72 mm x 65 mm x 158 mm (2-13/16" x 2-9/16" x 6-1/4")	
Weight	Approx. 450 g (0.99 lbs.)	WV-NP240: 470 g (1.03 lbs.) WV-NP244: 450 g (0.99 lbs.)

\*Flicker may appear when the object is darker than specified level.

## Part Names and Functions



## Appearance



### Trademarks and registered trademarks

– Microsoft, and Windows are registered trademarks of Microsoft Corporation in the U.S. and other countries.  
– SD logo is a trademark.

### Important

– Safety Precaution: carefully read the operating instructions and installation manual before using this product.  
– Panasonic can not be responsible for network performance and/or other manufacturer products that reside on the network.

- All TV pictures/menu are simulated.
- Weights and dimensions are approximate.
- Specifications are subject to change without notice.
- These products may be subject to export control regulations.
- Product pictures shown in this catalog are all NTSC models.

DISTRIBUTED BY:

**Panasonic**  
Panasonic is the brandname of Matsushita Electric.  
Printed in Japan  
(2A-007A)